



# Slow Auto Wind Hose Reel

## Instruction Manual



### After Sales Support

Call 0871 911 7031

Email [Customerservice@gardengearonline.co.uk](mailto:Customerservice@gardengearonline.co.uk)

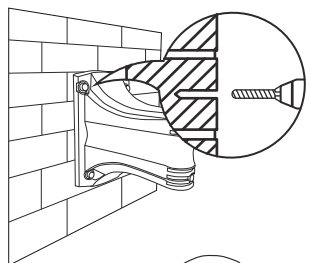
[www.gardengearonline.co.uk](http://www.gardengearonline.co.uk)

Product Code: G2753 20M/G2754 30M

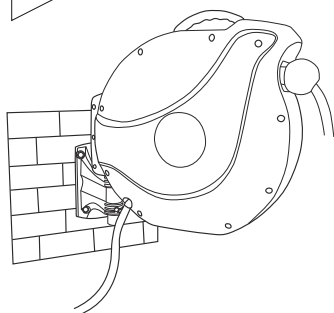
Thank you for purchasing this product, which has been made to demanding high quality standards and is guaranteed for domestic use against manufacturing faults for a period of 24 months from date of purchase

For correct usage, read these instructions carefully and keep in a safe place for future reference

## Installation Instructions

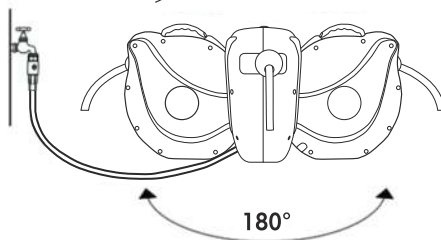


- 1 Select a suitable position to mount your Auto Wind Hose Reel. The Hose Reel should be mounted at approximately waist height.

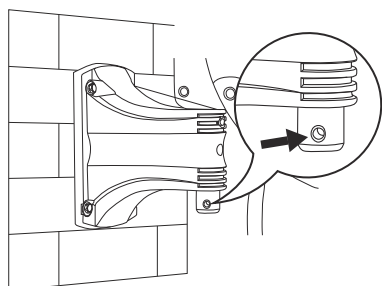


- 2 Mark the location of the 4 holes. Drill the holes using a 12mm masonry drill bit and insert the wall plugs. Align bracket on wall and secure with screws.

- 3 Align the back of the reel with the wall bracket and attach with the security pin.



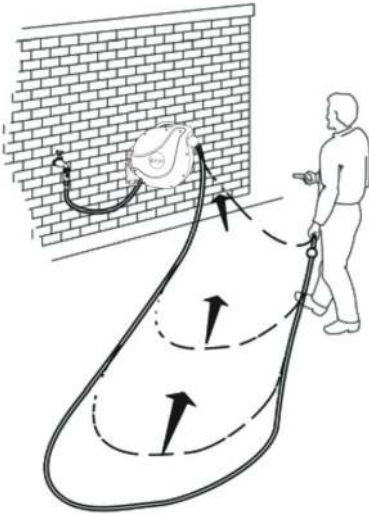
- 4 Attach the tap to reel connector to your tap using the universal tap adaptor. Test to ensure the reel rotates freely through 180°



- 5 Optional- The hose reel can be securely locked to the bracket by placing a padlock (not included) through the hole of the pin under the bracket.

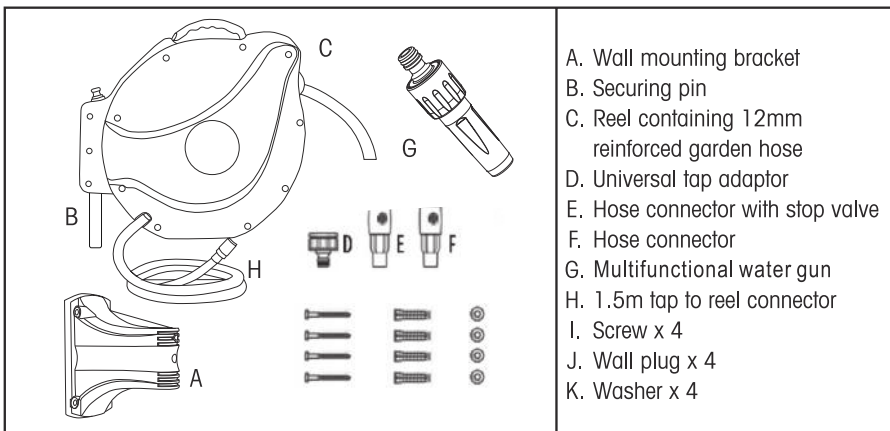
## Instructions for Use

Now that your Auto Wind Hose Reel is securely mounted and connected to the tap, it is ready to use.



- 1 Before first use, turn the water on at the tap and unwind the hose. The hose will unwind by simply taking hold of the hose and walking away from the reel. This will allow water to flow freely through the hose and reel.
- 2 The automatic locking ratchet will hold the hose in place at the desired length. The mechanism will 'click' as the hose is locked in place.
- 3 To release, give the hose a small tug. When the hose starts to rewind, walk back with the hose towards the reel. Do not simply let go of the hose.
- 4 Before fully retracting the hose, it is recommended to turn off the tap and release any water through the hand spray. Always retract the hose after use.

## Contents



After Sales Support ☎ 0871 911 7031 📧 [Customerservice@gardengearonline.co.uk](mailto:Customerservice@gardengearonline.co.uk)

## Cautions

- The Auto Wind Hose Reel is designed for home watering applications using cold water only. It is not intended for commercial applications.
- Before use, ensure the reel is securely attached to the wall and free of obstructions.
- Do not place undue force on the reel casing. Doing so may damage the casing or the bracket.
- Children should not be allowed to operate or play with the Auto Wind Hose Reel. Ensure children are clear of the hose and hose reel when unwinding.
- Always walk the hose back to the reel when rewinding.
- Regularly inspect the bracket and mounting pin for signs of wear.
- Always turn the water off at the tap when the Auto Wind Hose Reel is not in use.

## GUARANTEE

### IMPORTANT

**Please do not return this product without first calling the Customer Service number below:**

**0871 911 7031**

Thank you for purchasing this product, which has been made to demanding high quality standards and is guaranteed for domestic use against manufacturing faults for a period of 24 months from the date of purchase.

This guarantee does not affect your statutory rights. If your product fails due to a defect in material or workmanship during this period, please return it to the place of purchase. Normal wear and tear is not covered under the guarantee.

Any guarantee is invalid if the product has been misused or subject to neglect or an attempted repair other than by our own service centre.

Due to continuous product improvement, we reserve the right to change the product specification without prior notice.

### After Sales Customer Service:

Customer Service Department, Branded Garden Product, Premier House, Hortonwood 7, Telford, TF1 7GP

**Telephone:** 0871 911 7031

**E-mail:** [Customerservice@gardengearonline.co.uk](mailto:Customerservice@gardengearonline.co.uk)

Please retain for future reference.

Colours and contents may vary.

Waste electrical products should not be disposed of with household waste. Please recycle where facilities exist. Check with your Local Authority or retailer for recycling advice.

**Please note that all products with the symbol below must be recycled.**



Calls cost 13p per minute, plus your phone company's access charge.

After Sales Support  0871 911 7031  [Customerservice@gardengearonline.co.uk](mailto:Customerservice@gardengearonline.co.uk)