



Egg Chair Set Instruction Manual

G4813

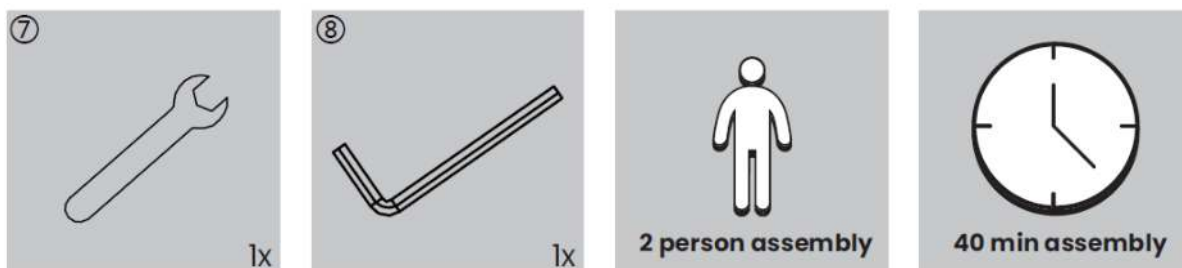
General information and safety warnings

- This chair has been designed for careful domestic outdoor use only. Assemble on a flat, soft and even surface where the finish cannot be scratched.
- Position on a flat even surface, never on a slope.
- To avoid tipping over, do not throw your weight against the back of the furniture.
- Do not allow children to play on the furniture.
- Only one person should sit on a chair at a time.
- Do not stand on the chair.
- Never drag the furniture it should always be lifted to be moved.
- The maximum loading weight is 120kgs.
- For outdoor use only.
- Do not use if cracked or damaged.
- We strongly advise covering up or storing away your furniture when not in use to protect it from the elements and prolong the life of the furniture.
- Periodically check that all screws and fixings are secure and the furniture is stable.
- Not suitable for commercial purposes.
- Retain these instructions for future reference.
- Keep away from fire.

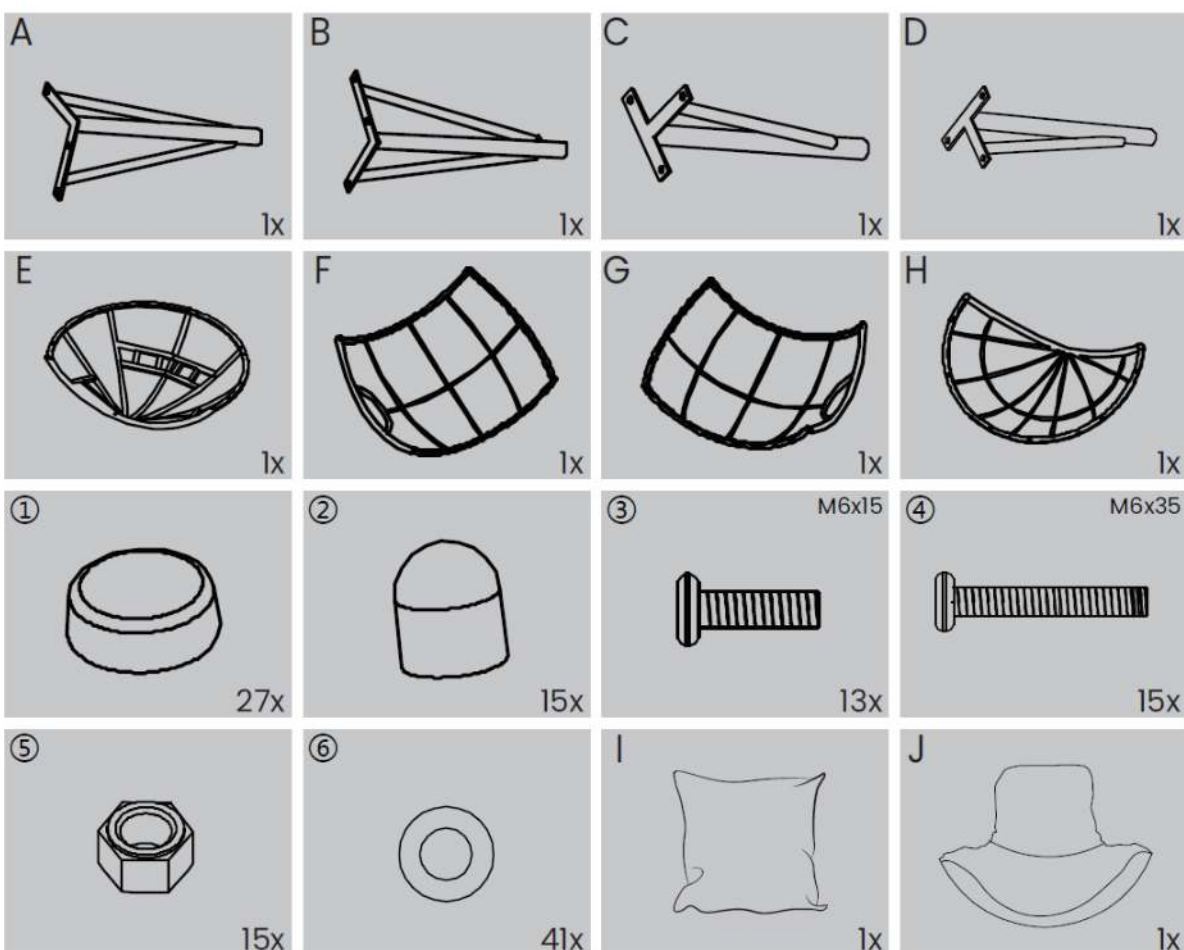
Assembly

- Carefully unpack the product and ensure that you have all the correct parts.
- Assemble the furniture on a flat, level surface.
- Lay out everything that you need on a flat, soft and level surface.
- We recommend that two people assemble this furniture.
- During assembly, if any of the thread holes for the bolts are tight or out of line when fitting them, it may be that the others are screwed in too far, loosen them and this will make it easier to get the bolt into its location.

Tools required

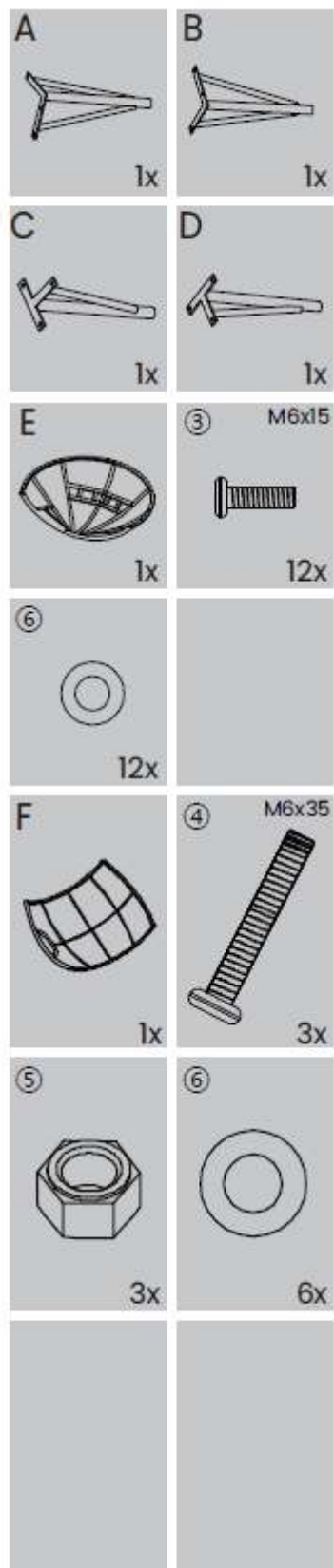
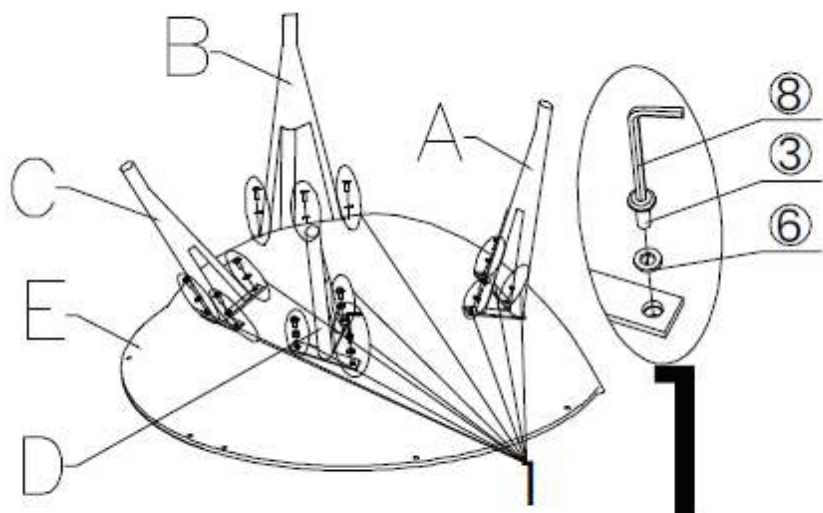


Parts list

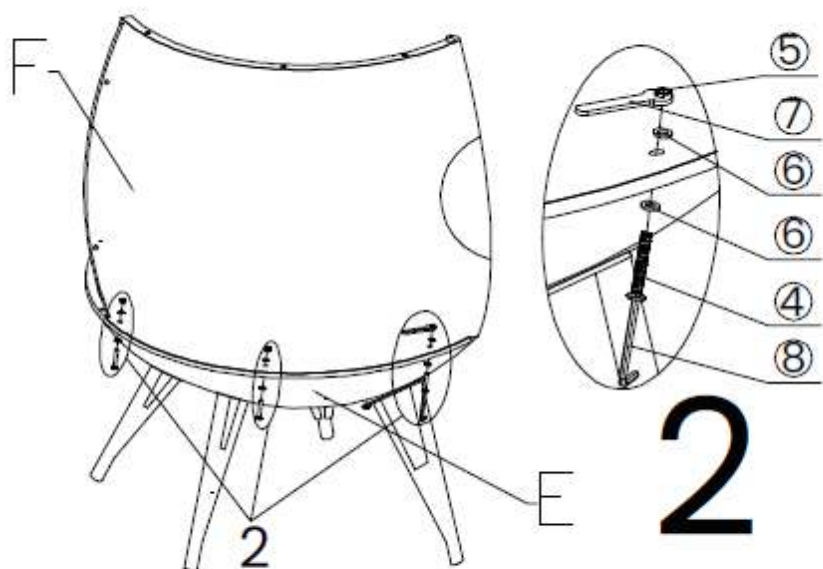


Assembly

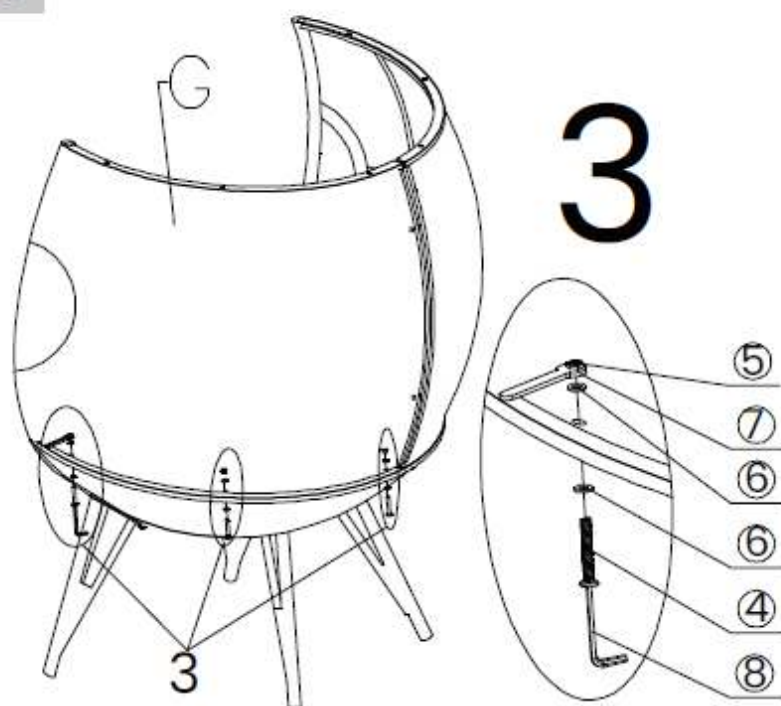
1



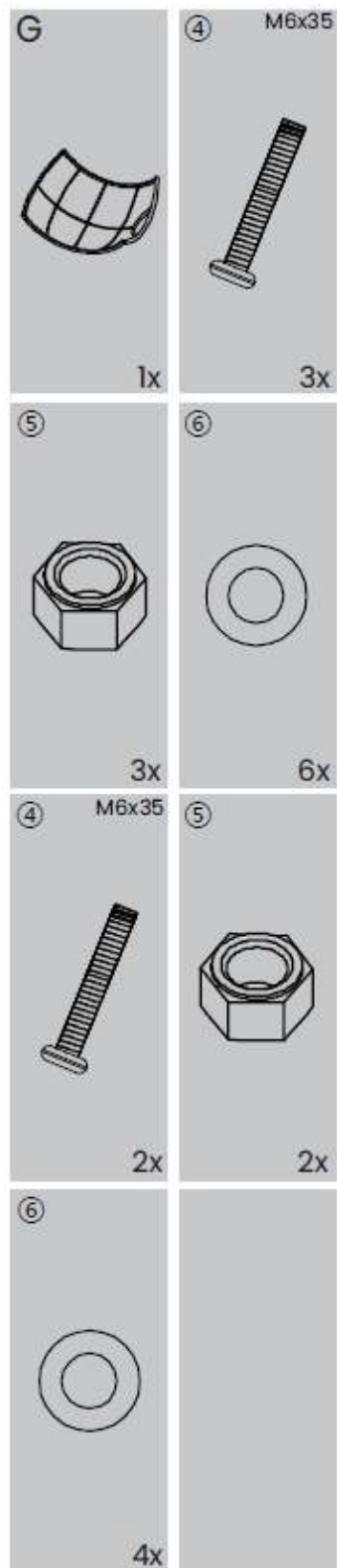
2



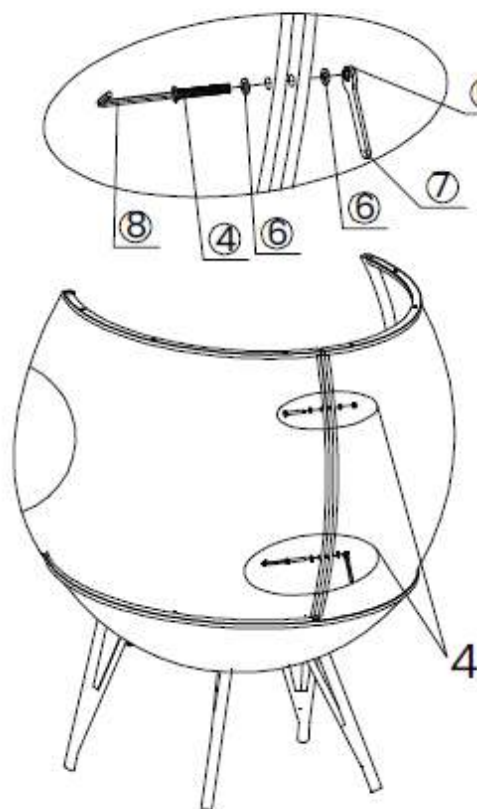
3



3

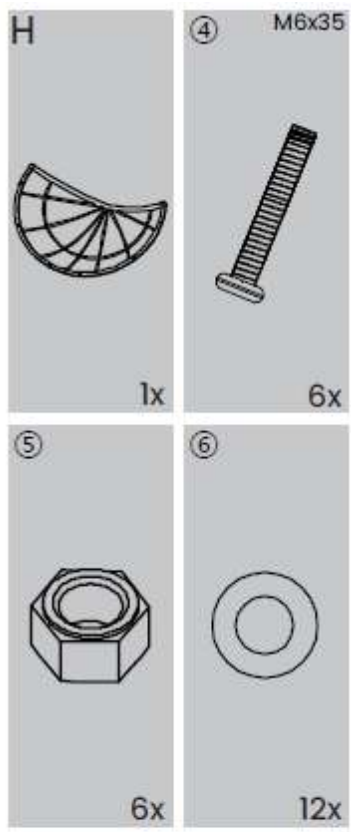
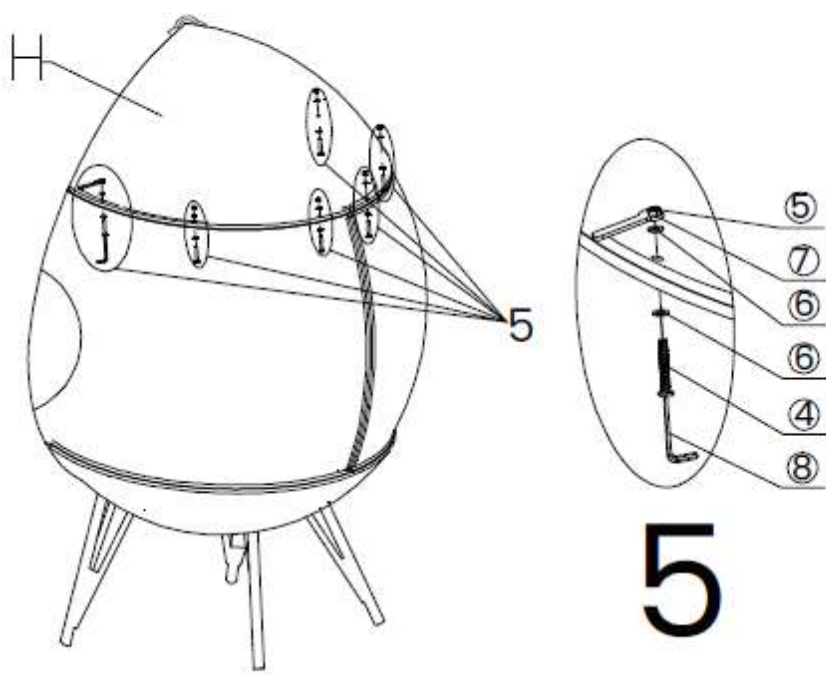


4



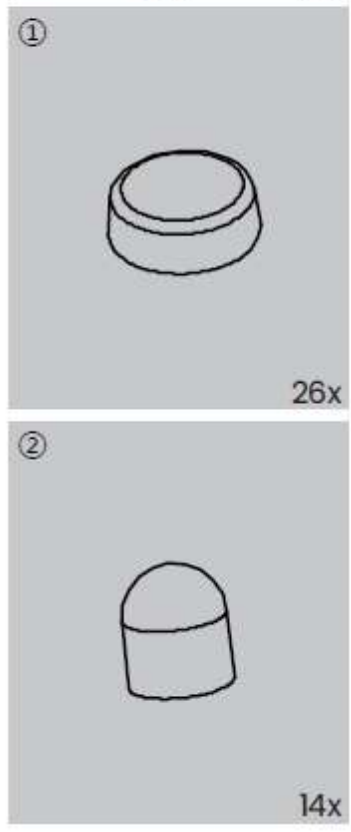
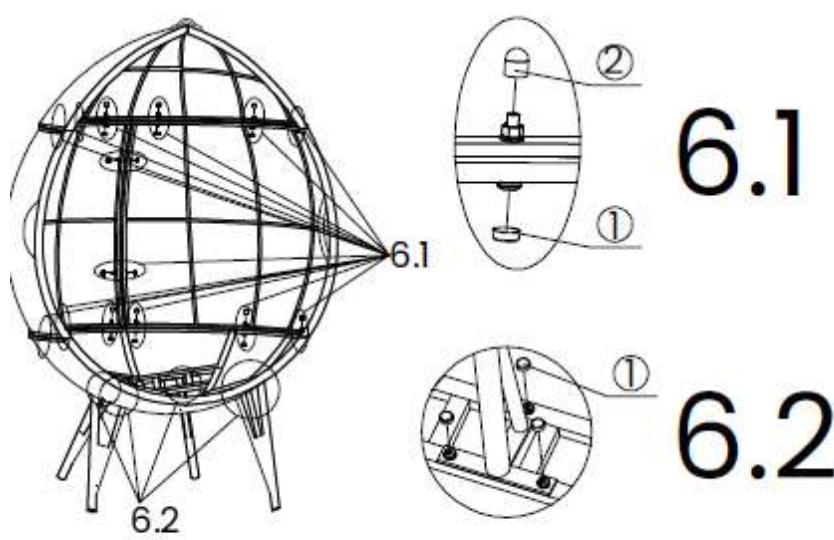
4

5



5

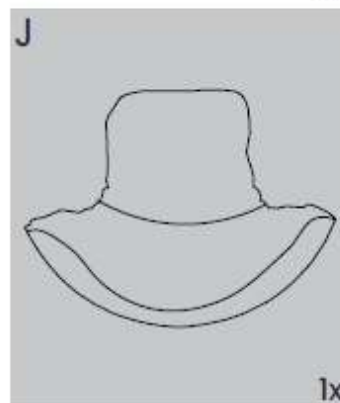
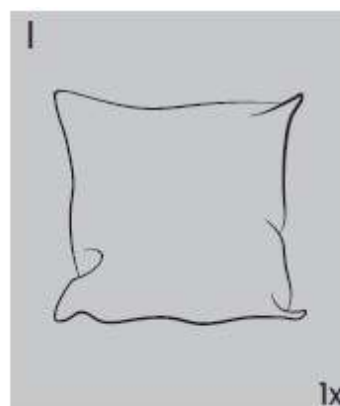
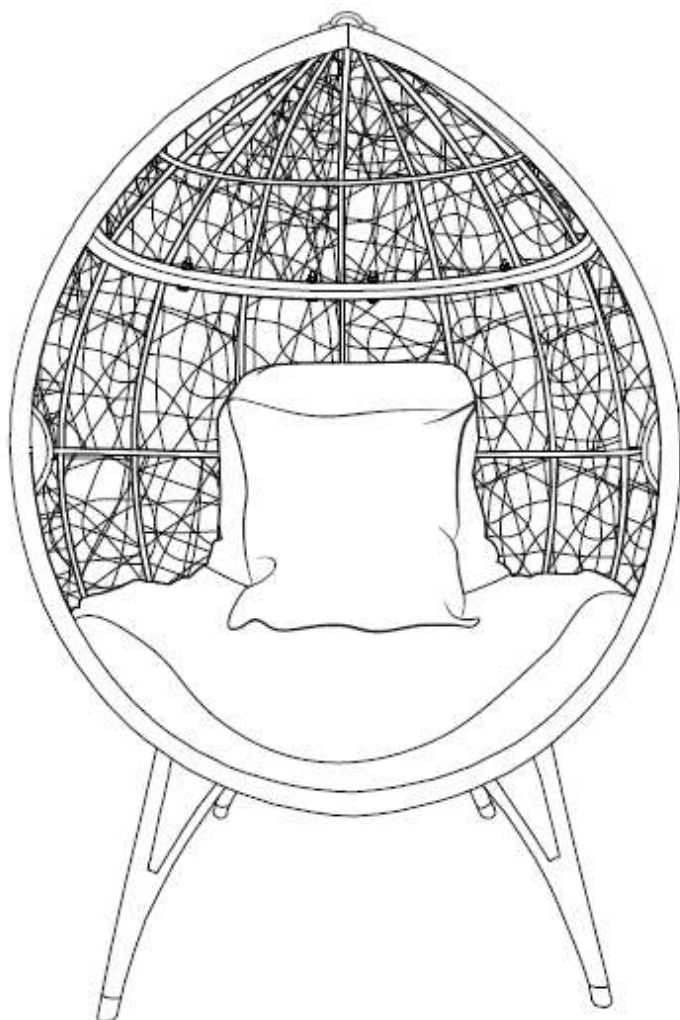
6



6.1

6.2

7



Care & maintenance

- Damp wipe the frame and allow to dry naturally.
- Ensure the furniture is completely dry before storing.
- Periodically check that all screws and fixings are secure and the furniture is stable.
- We strongly advise covering up or storing away your furniture when not in use to protect it from the elements and prolong the life of the furniture.
- Remove any stains from spillages as quickly as possible.
- After use, store the cushions in a clean, dry place.

GUARANTEE

IMPORTANT

Please do not return this product without first calling the Customer Service number below:

0871 911 7031*

Thank you for purchasing this product, which has been made to demanding high quality standards and is guaranteed for domestic use against manufacturing faults for a period of 12 months from the date of purchase.

Register your product for an extended 2-year warranty by visiting our website www.gardengearonline.co.uk. The product must be registered, along with your contact information, within 30 days of purchase. For full terms and conditions please visit our website.

This guarantee does not affect your statutory rights. If your product fails due to a defect in material or workmanship during this period, please return it to the place of purchase. Normal wear and tear is not covered under the guarantee.

Any guarantee is invalid if the product has been misused or subject to neglect or an attempted repair other than by our own service centre.

Due to continuous product improvement, we reserve the right to change the product specification without prior notice.

After Sales Customer Service:

Branded Garden Products Ltd, Premier House, Hortonwood 7, Telford, TF1 7GP

Telephone: 0871 911 7031*

E-mail customerservice@gardengearonline.co.uk

Please retain for future reference.

Colours and contents may vary.

*Calls cost 13p per minute, plus your phone company's access charge.